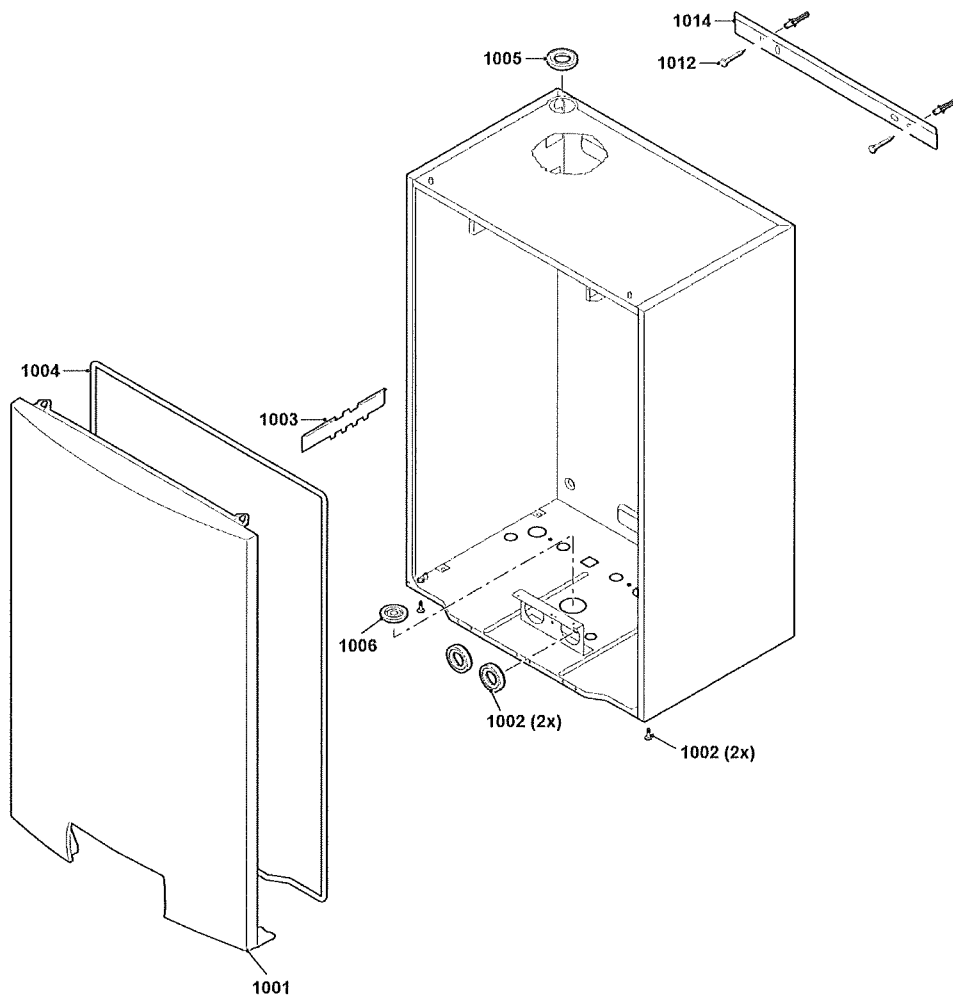


1

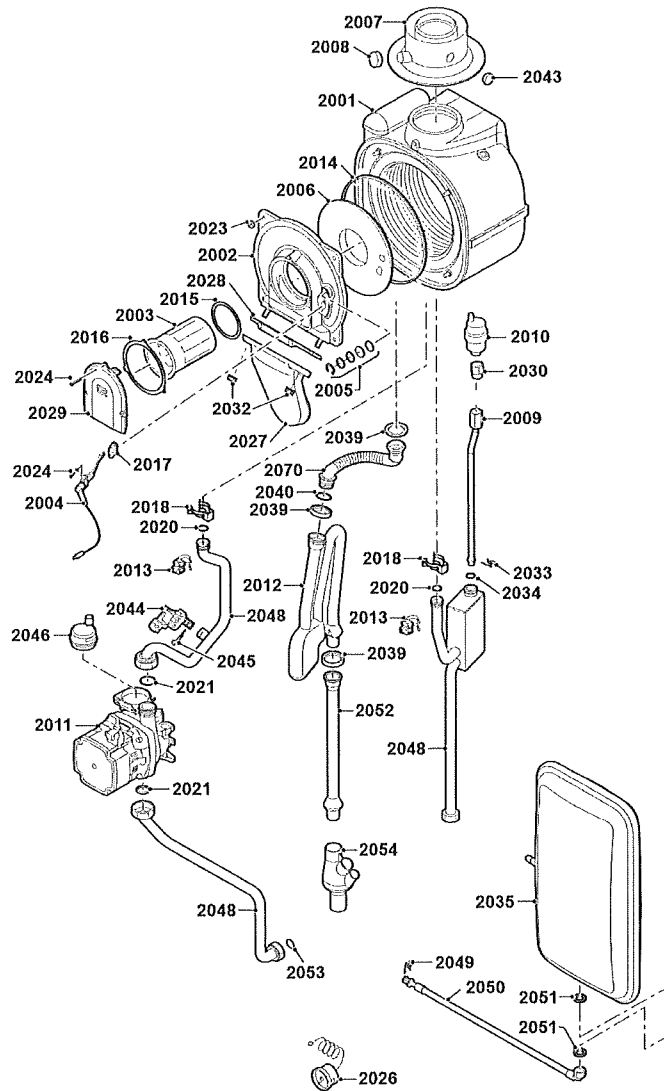


AD-031063-01

chaudières murales
GMR1000 CS Condens-2

| Réf. | Référence | Description | Qté | Tarif | Remarques |
|------|-----------|---------------------------------|-----|-------|-----------|
| 1001 | S100978 | CAPOT AVANT OERTLI | 1 | | |
| 1002 | S62711 | PASSE FIL Ø 48x28 mm. (5 pcs.) | 1 | | |
| 1002 | S62708 | Vis M5 x 20 (20 pcs.) | 1 | | |
| 1003 | S100984 | SUPPORT ECHANGEUR MCR BIC | 1 | | |
| 1004 | S62709 | - JOINT ETANCHEITE (10 m.) | 1 | | |
| 1006 | S62720 | PASSE FIL Ø 46x15 mm. (10 pcs.) | 1 | | |
| 1012 | S100201 | SACHET VISSERIE DOSSERET | 1 | | |
| 1014 | S100965 | EQUERRE D'ACCROCHAGE MCR BIC | 1 | | |

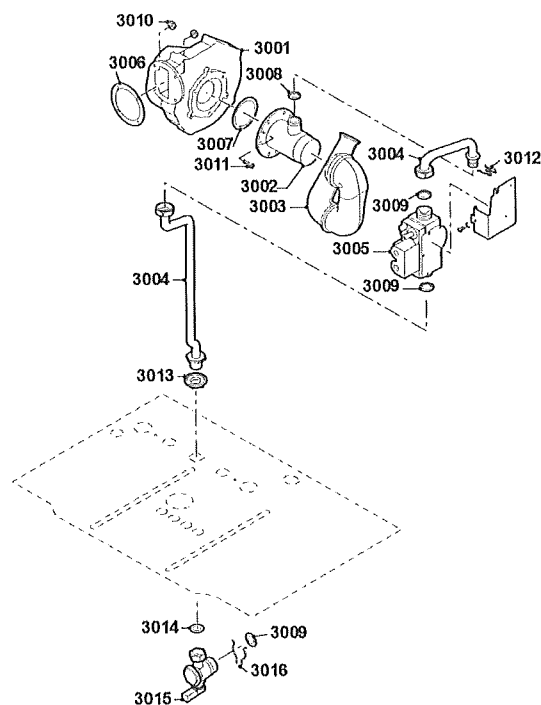
2



chaudières murales
GMR1000 CS Condens-2

| Réf. | Référence | Description | Qté | Tarif | Remarques |
|------|-----------|--------------------------------------|-----|-------|-----------|
| 2001 | S62777 | ECHANGEUR 3+1 24/28 | 1 | | H 16843 |
| 2002 | S62779 | ENSEMBLE BRULEUR ECHANGEUR 24/28 | 1 | | |
| 2003 | S62741 | BRULEUR 24/28 | 1 | | |
| 2004 | S62743 | ELECTRODE ALLUMAGE/IONISATION CABLE | 1 | | H 14566 |
| 2005 | S59118 | VOYANT | 1 | | |
| 2006 | 7619579 | ISOLATION TOLE AVT ECHANGE CHALEUR | 1 | | H 19907 |
| 2007 | S62768 | BUSE DE FUMEE 60/100 | 1 | | |
| 2008 | S62232 | BOUCHON POUR PRISE DE MESURE (5x) | 1 | | |
| 2009 | S100959 | TUBE PURGE AIR | 1 | | |
| 2010 | 97920027 | PURGEUR AIR AUTOMATIQUE | 1 | | |
| 2011 | 7638501 | CABLE CIRCULATEUR CLASSE A | 1 | | |
| 2011 | 7631151 | CIRCULATEUR UPM 14-75 CILAC AZA EUY0 | 1 | | |
| 2012 | S62749 | SIPHON + TUBE ECOULEMENT | 1 | | H 20213 |
| 2013 | S58733 | SONDE NTC (X2) | 1 | | H 20219 |
| 2014 | S59596 | JOINT PLAQUE FOYERE (X10 | 1 | | H 19906 |
| 2015 | S103172 | JOINT BRULEUR (x5) | 1 | | H 20220 |
| 2016 | S62718 | JOINT TORIQUE Ø 94 X 2 (10 pcs.) | 1 | | H 20221 |
| 2017 | S62105 | JOINT ELECTRODE (10X) | 1 | | H 20222 |
| 2018 | S59586 | CLIP 18MM (10 pcs.) | 1 | | |
| 2020 | S59597 | JOINT TORIQUE 18X2.8 (10X) | 1 | | |
| 2021 | S56156 | JOINT 30 x 21 x 3 (x10) | 1 | | |
| 2023 | S54755 | ECROU M6 (20 pcs.) | 1 | | |
| 2024 | S48950 | VIS M4 X 10 (X50) | 1 | | |
| 2026 | S62733 | MANOMETRE 0-4 BAR | 1 | | H 20223 |
| 2027 | S62751 | COUVERCLE CHAMBRE PREMELANGE | 1 | | |
| 2028 | S62719 | JOINT (X10) | 1 | | H 20224 |
| 2029 | S62742 | COUVERCLE BRULEUR | 1 | | |
| 2030 | S62729 | RACCORD DE PURGEUR (5X) | 1 | | |
| 2032 | S44483 | ECROU M 8 (10 pcs.) | 1 | | |
| 2033 | S58757 | RESSORT 17MM (10pcs) | 1 | | |
| 2034 | S62433 | JOINT TORIQUE Ø 16 X 3.6 (10 pcs.) | 1 | | |
| 2035 | S100795 | VASE D'EXPANSION EAU 8 LITRES 3 BAR | 1 | | H 20293 |
| 2039 | S62394 | JOINT SIPHON (X10) | 1 | | |
| 2040 | S62713 | JOINT TORIQUE D. 20X2.5 (10X) | 1 | | |
| 2043 | S62233 | BOUCHON POUR PRISE DE MESURE (5x) | 1 | | |
| 2044 | S101350 | CAPTEUR DE PRESSION | 1 | | H 20226 |
| 2045 | S100814 | CLIP 10.3 (5X) | 1 | | |
| 2045 | 7605371 | CLIP 9.4 (5x) | 1 | | |
| 2046 | 97920027 | PURGEUR AIR AUTOMATIQUE | 1 | | |
| 2048 | S101451 | KIT TUBULURES | 1 | | |
| 2049 | S100989 | EPINGLE D13.5 REF.590655 | 1 | | |
| 2050 | S100792 | FLEXIBLE D.6 LG.400MM | 1 | | |
| 2051 | S100976 | ECROU G3/8 | 1 | | |
| 2052 | S100779 | RALLONGE SIPHON | 1 | | |
| 2053 | S56155 | JOINT D.23.8x17.2x2mm (x20) | 1 | | |

3

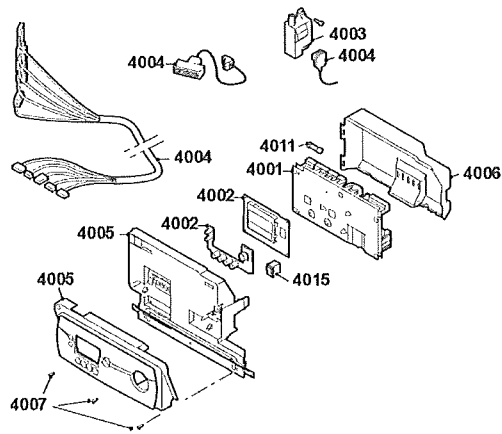


AD 0301070-01

ERTLIchaudières murales
GMR1000 CS Condens-2

| Ref. | Référence | Description | Qté | Tarif | Remarques |
|------|-----------|--------------------------------------|-----|-------|-----------|
| 3001 | S100011 | VENTILATEUR 24V | 1 | | H 20228 |
| 3002 | S58683 | VENTURI | 1 | | |
| 3003 | S62767 | SILENCIEUX | 1 | | |
| 3004 | S100803 | TUBE ARRIVEE GAZ | 1 | | |
| 3005 | S58685 | VANNE GAZ | 1 | | H 20229 |
| 3006 | S45182 | JOINT DE VENTILATEUR (10 pcs) | 1 | | |
| 3007 | S58739 | JOINT TORIQUE Ø 63 X 3 (10 pcs.) | 1 | | |
| 3008 | S58762 | JOINT TORIQUE 14,5 x 2 | 1 | | |
| 3009 | S56155 | JOINT D.23.8x17.2x2mm (x20) | 1 | | |
| 3010 | S46687 | ECROU M5 (x10) | 1 | | |
| 3011 | S59149 | VIS M6x12 (15 pcs.) | 1 | | |
| 3012 | S58757 | RESSORT 17MM (10pcs) | 1 | | |
| 3013 | S62794 | ECROU 1/2" (5X) | 1 | | |
| 3014 | S56157 | JOINT Ø 18,3 X 12,7 X 2 mm. (10 pcs) | 1 | | |

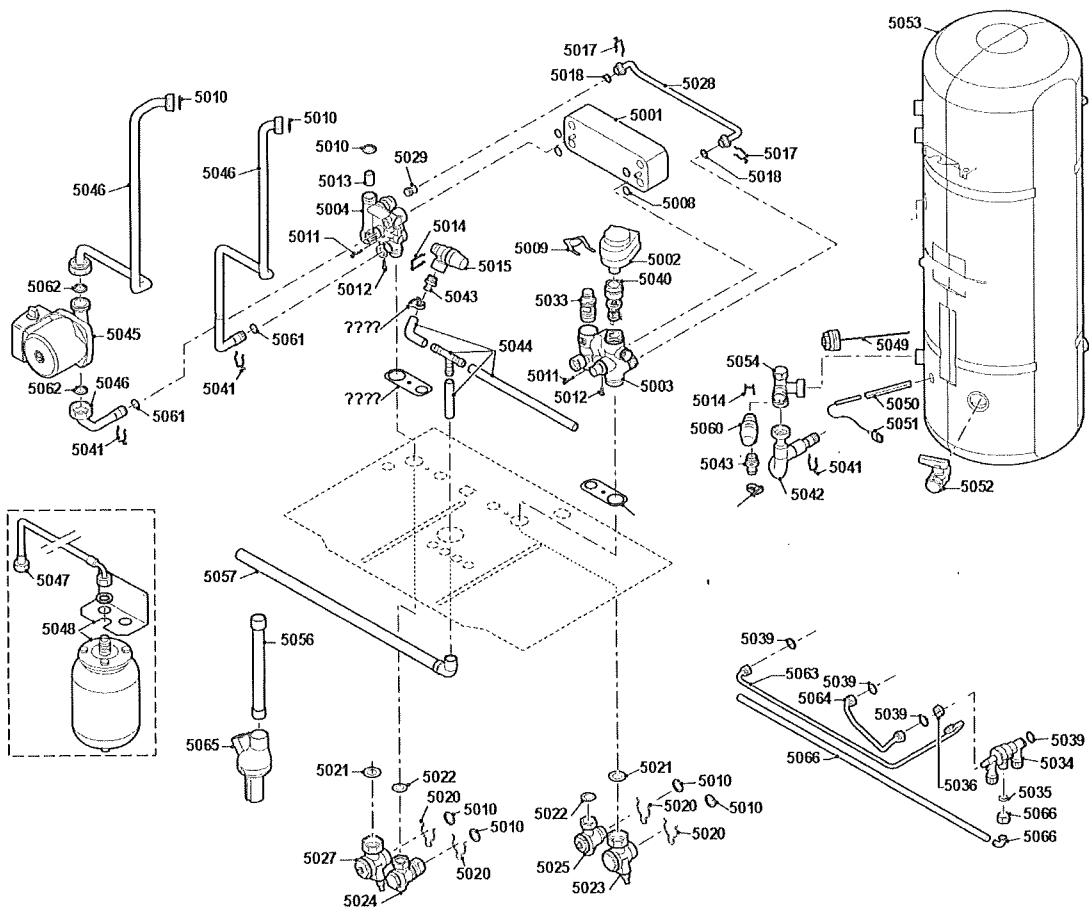
4



chaudières murales
GMR1000 CS Condens-2

| Réf. | Référence | Description | Qté | Tarif | Remarques |
|------|-----------|--------------------------------------|-----|-------|-----------|
| 4001 | 7631023 | CARTE DE SECURITE BIC | 1 | | |
| 4002 | S100227 | CARTE DISPLAY | 1 | | H 20231 |
| 4003 | S100983 | TRANSFORMATEUR D'ALLUMAGE MCR BIC | 1 | | |
| 4004 | 7631149 | FAISCEAUX | 1 | | |
| 4005 | 7637692 | FACADE AVANT TABLEAU OERTLI | 1 | | |
| 4006 | S62735 | FACADE ARRIERE - TABLEAU DE COMMANDE | 1 | | |
| 4007 | S62710 | VIS K3,5x10 (50 pcs.) | 1 | | |
| 4011 | S43561 | FUSIBLE 2 AT (10 pcs) | 1 | | |

5



AD-0901072-01

chaudières murales
GMR1000 CS Condens-2

| Réf. | Référence | Description | Qté | Tarif | Remarques |
|------|-----------|---|-----|-------|-----------|
| 0 | S100773 | MANCHON REDUIT G7/8-G3/4 | 1 | | |
| 0 | 7619082 | SET 2 DE MAINTENANCE | 1 | | |
| 5001 | S62776 | ECHANGEUR A PLAQUE 30/35-34/39 | 1 | | H 20235 |
| 5002 | S59132 | MOTEUR DE VANNE 3 VOIES | 1 | | H 20236 |
| 5003 | S100799 | VANNE D'INVERSION RETOUR | 1 | | H 20278 - |
| 5004 | S100800 | VANNE D'INVERSION DEPART | 1 | | H 20279 - |
| 5008 | S59131 | JOINT TORIQUE | 1 | | |
| 5009 | S59135 | RESSORT EPINGLE (10 pcs.) | 1 | | |
| 5010 | S56155 | JOINT D.23.8x17.2x2mm (x20) | 1 | | |
| 5011 | S59141 | Vis M5x18 (15 pcs.) | 1 | | |
| 5012 | S59578 | Vis M5x8 (20 pcs.) | 1 | | |
| 5013 | S100032 | FILTRE DEPART | 1 | | H 20280 - |
| 5014 | S62722 | CLIP 16.5 (10X) | 1 | | |
| 5015 | S100797 | SOUPAPE DE SECURITE 3 BAR 1/2" | 1 | | H 20281 - |
| 5017 | S58757 | RESSORT 17MM (10pcs) | 1 | | |
| 5018 | S62433 | JOINT TORIQUE Ø 16 X 3.6 (10 pcs.) | 1 | | |
| 5020 | S62725 | CLIP (25X) | 1 | | |
| 5021 | S62730 | JOINT PLAT 27.4 X 18.2 X 2 | 1 | | |
| 5022 | S56157 | JOINT Ø 18,3 X 12,7 X 2 mm. (10 pcs) | 1 | | |
| 5023 | S100520 | ROBINET RETOUR CHAUFFAGE 3/4" + JOINT | 1 | | |
| 5024 | S100518 | ROBINET ECS 3/4"-1/2" + JOINT | 1 | | |
| 5025 | S100519 | ROBINET EFS 3/4"-1/2" X M10 + JOINT | 1 | | |
| 5027 | S100521 | ROBINET DEPART CHAUFFAGE 3/4"x M10 | 1 | | |
| 5028 | S62754 | TUBE BY-PASS | 1 | | |
| 5029 | S62532 | CLAPET | 1 | | |
| 5033 | S100969 | CARTOUCHE flowswitch 1WB | 1 | | |
| 5034 | 86665557 | DISCONNECTEUR | 1 | | H 20240 |
| 5035 | S100232 | JOINT 8.4X5X1.6 (10X) | 1 | | |
| 5036 | S100231 | ECROU M10X1X5 (10X) | 1 | | |
| 5039 | S62715 | Joint O 14,5X8,5X2 (10 pcs.) | 1 | | |
| 5040 | S100217 | VANNE 3 VOIES | 1 | | H 20237 |
| 5041 | S100980 | ATTACHE TUBE (x10) | 1 | | |
| 5042 | S100794 | FLEXIBLE ENTREE BALLON MCR BIC | 1 | | |
| 5043 | S100972 | RACCORD MALE 1/2"x 14 | 1 | | |
| 5044 | S100974 | ENSEMBLE FLEXIBLE MCR BIC | 1 | | |
| 5045 | S100790 | CIRCULATEUR UPO 15/30 | 1 | | H 20283 - |
| 5046 | S101451 | KIT TUBULURES | 1 | | |
| 5047 | S100793 | FLEXIBLE D.6 LG.400MM 1/2" | 1 | | |
| 5048 | S100964 | VASE D'EXPANSION ECS 2 LITRES 10 BAR | 1 | | H 20284 - |
| 5048 | S100970 | SUPPORT DE VASE SANITAIRE MCR BIC | 1 | | |
| 5049 | S100777 | ANODE D.26 | 1 | | H 20285 - |
| 5050 | S100973 | SEPARATEUR DOIGT DE GANT | 1 | | |
| 5051 | S100787 | SONDE TEMPERATURE | 1 | | H 20286 - |
| 5052 | S55703 | ROBINET 1/2" | 1 | | |
| 5053 | S100775 | TOLE D'ACCROCHAGE | 1 | | |
| 5053 | S100804 | ISOLATION BALLON 40L | 1 | | H 20289 - |
| 5053 | S100776 | BALLON EMAILLE 40L | 1 | | H 20287 - |
| 5053 | S100981 | BALLON INOX 40L | 1 | | |
| 5054 | S100798 | SOUPAPE DE SECURITE AVEC CROIX G1/2 7 E | 1 | | |

chaudières murales
GMR1000 CS Condens-2

| | | | | |
|------|---------|--|---|--------|
| 5056 | S100779 | RALLONGE SIPHON | 1 | |
| 5057 | S100239 | TUBE POUR SOUPE DE SECURITE | 1 | |
| 5060 | S100796 | SOUPE DE SECURITE 7 BAR 1/2" | 1 | H20288 |
| 5061 | S100966 | JOINT TORIQUE 14 X 2 (x10) | 1 | |
| 5062 | S56156 | JOINT 30 x 21 x 3 (x10) | 1 | |
| 5063 | 123723 | TUBE AMONT DISCONNECTEUR | 1 | |
| 5064 | 123724 | TUBE AVAL DISCONNECTEUR | 1 | |
| 5065 | S100238 | COLLECTEUR DES CONDENSATS | 1 | |
| 5066 | S100241 | TUYAU EVACUATION CONDENSATS 12/9 650MI | 1 | |